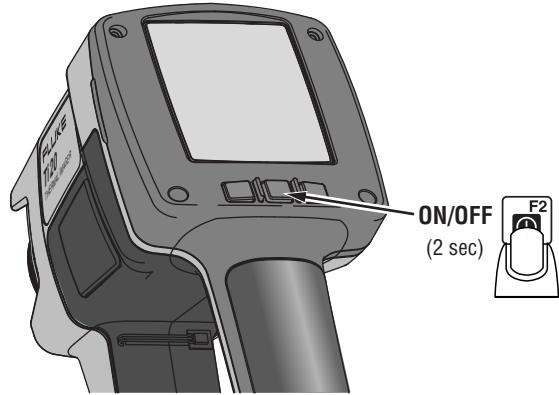


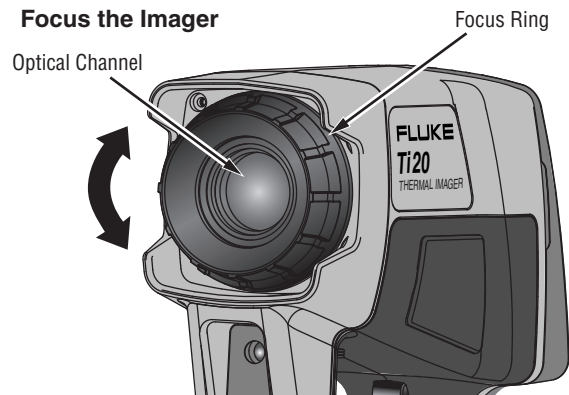
## Ti20 Thermal Imager Quick Reference Guide

⚠ See *Users Manual* for "Safety Information" and complete operating information.

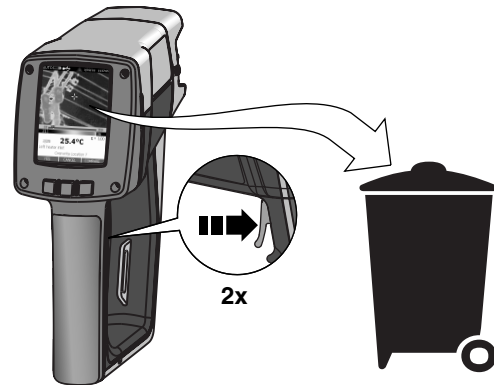
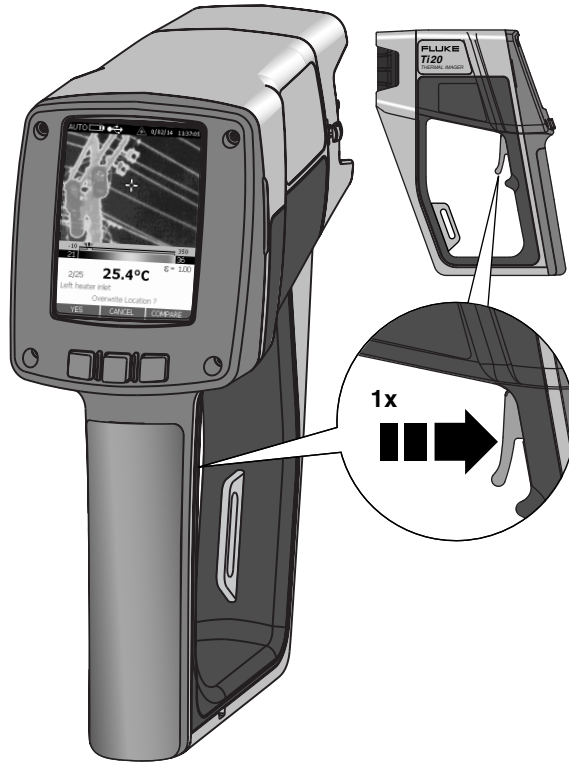
### Turning the Imager ON and OFF



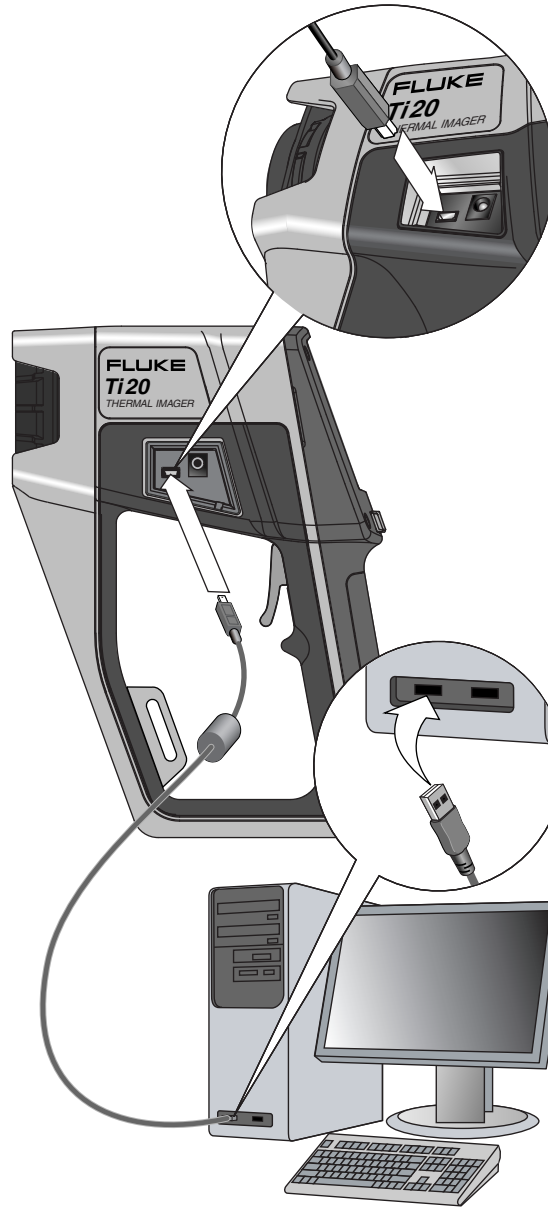
### Focus the Imager



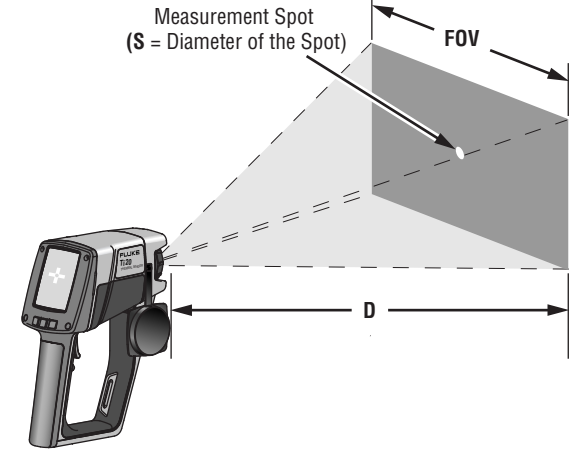
### Capturing an Image



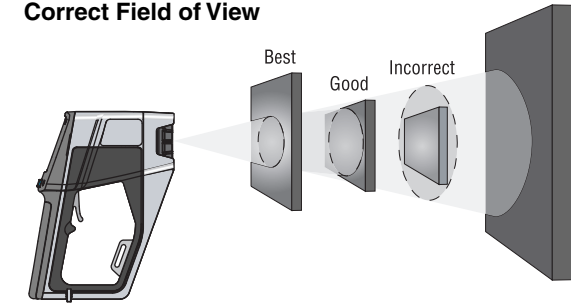
### Connecting the USB Cable



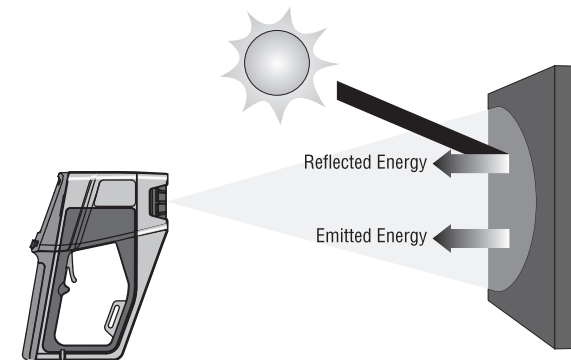
### Distance to Spot Size Ratio



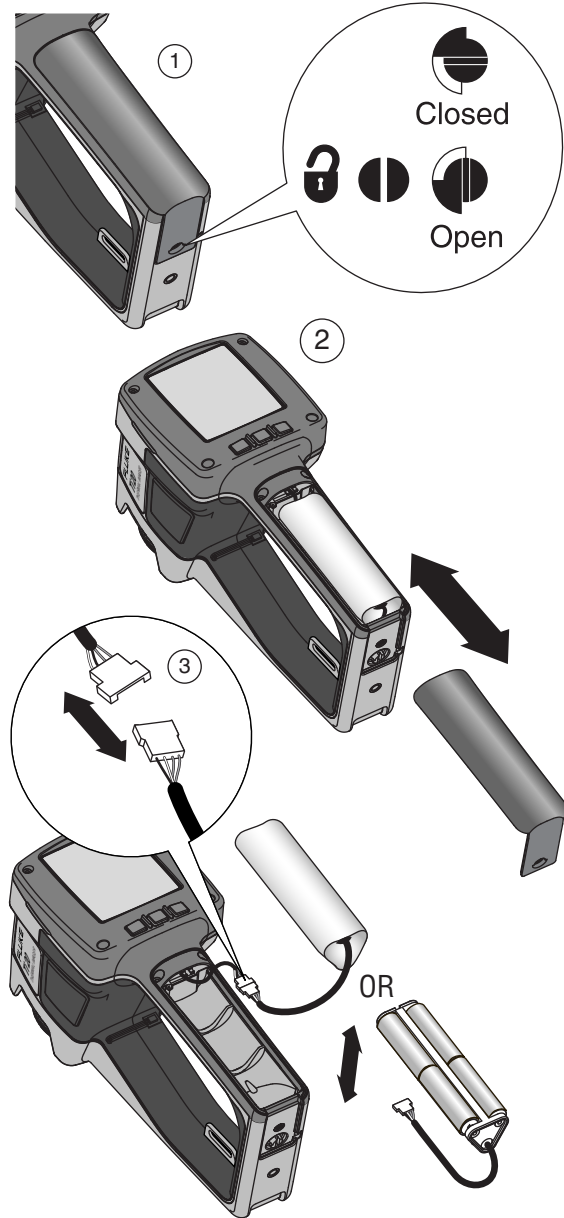
### Correct Field of View



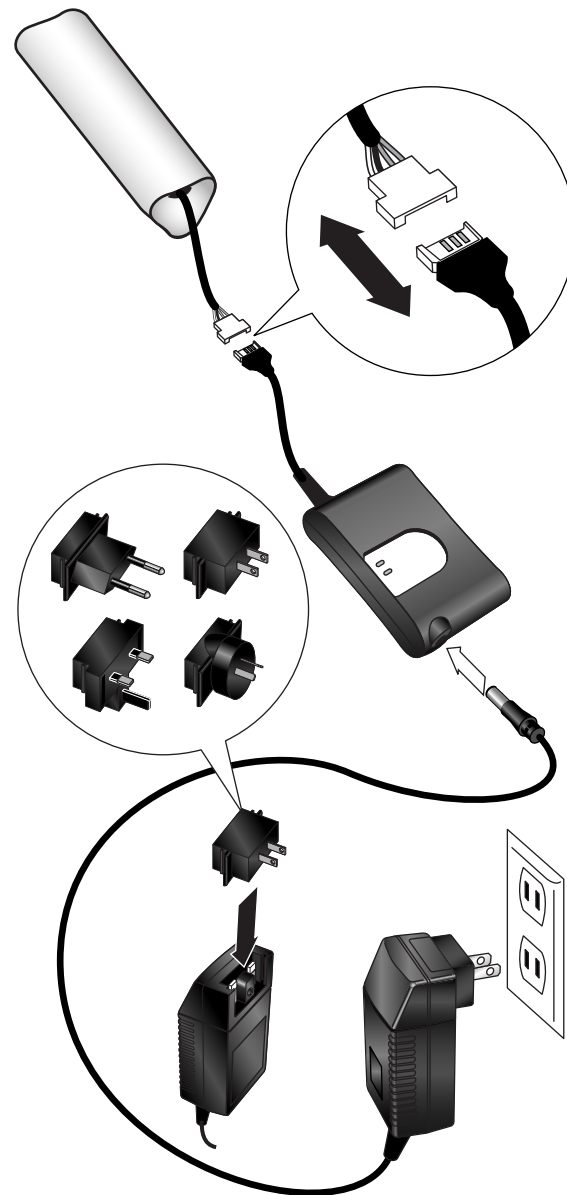
### Reflected Temperature Compensation



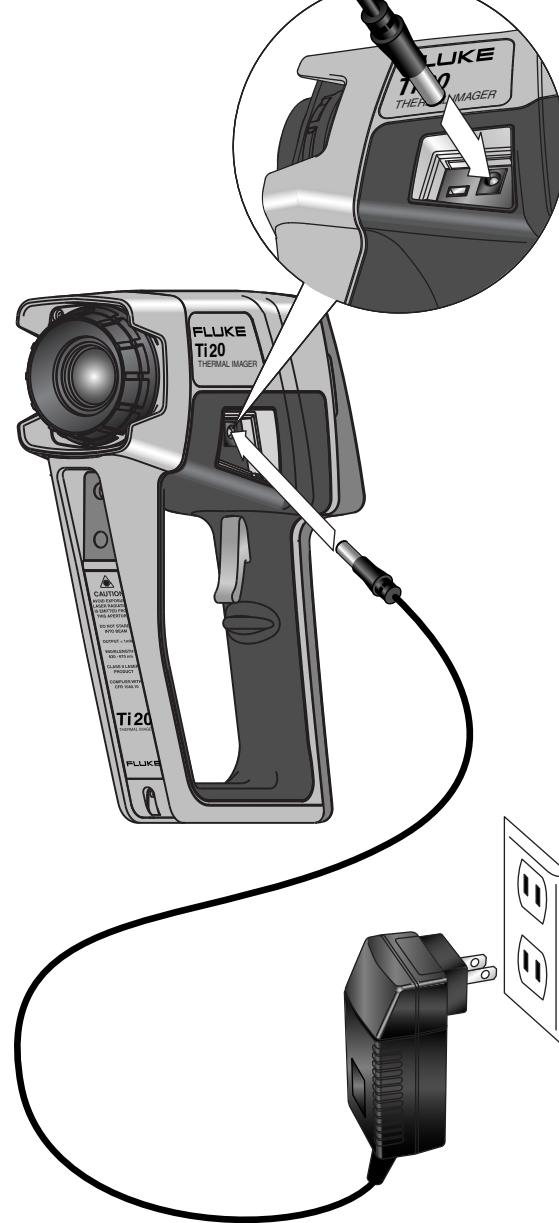
### Replacing the Batteries



### Recharging the Batteries



### Using the AC Adapter



### Wrist Strap

